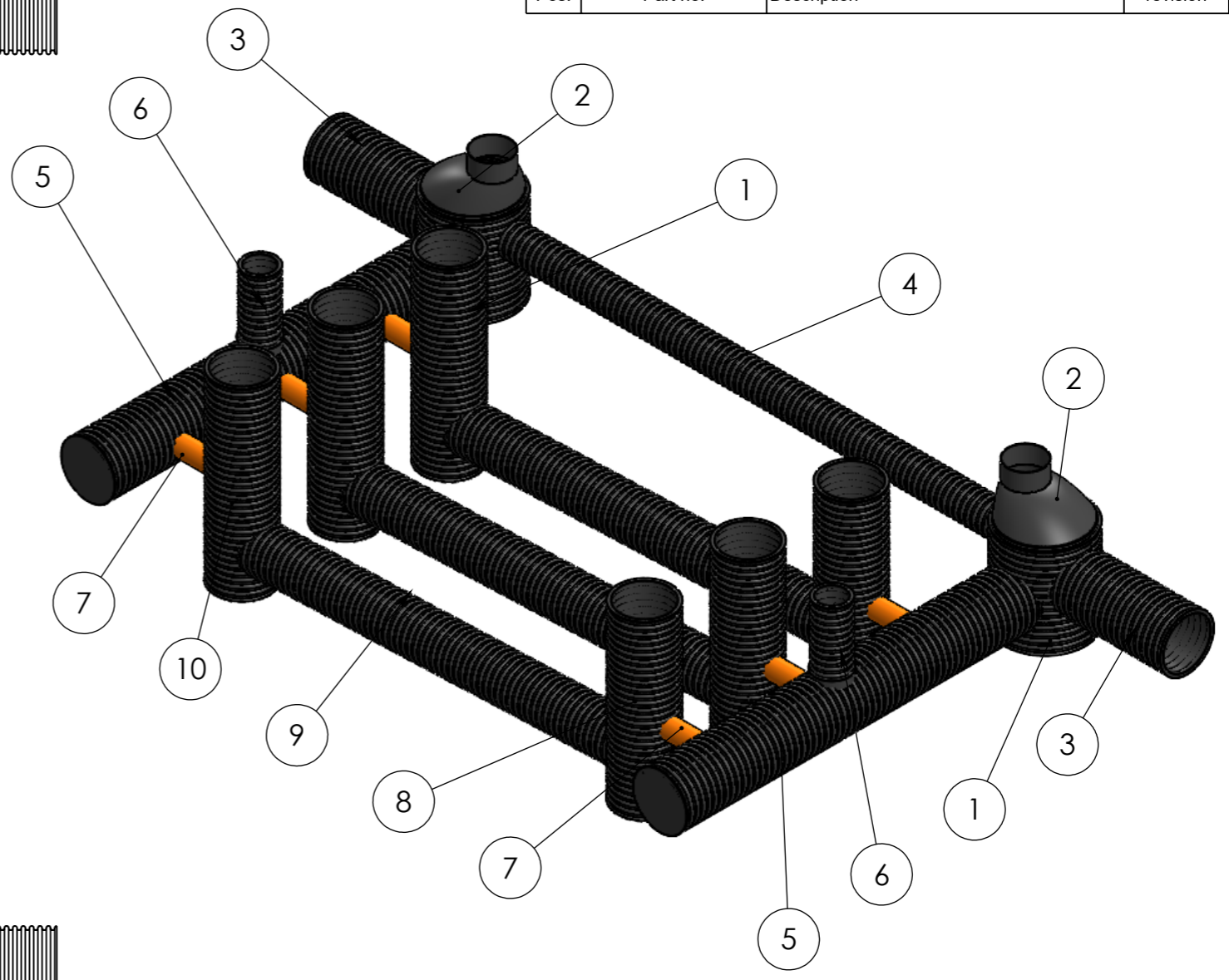
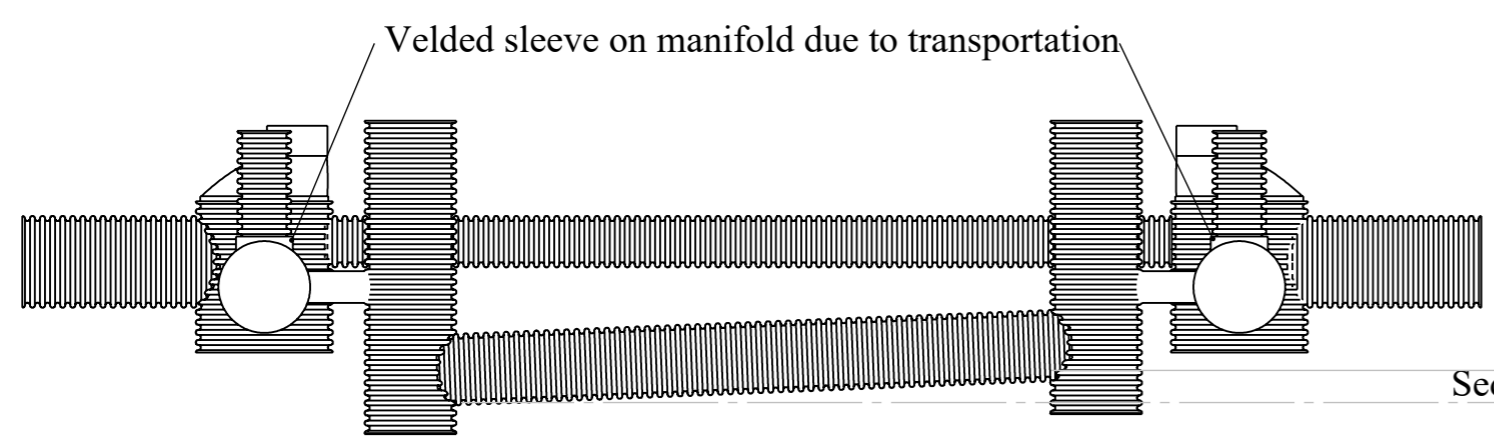
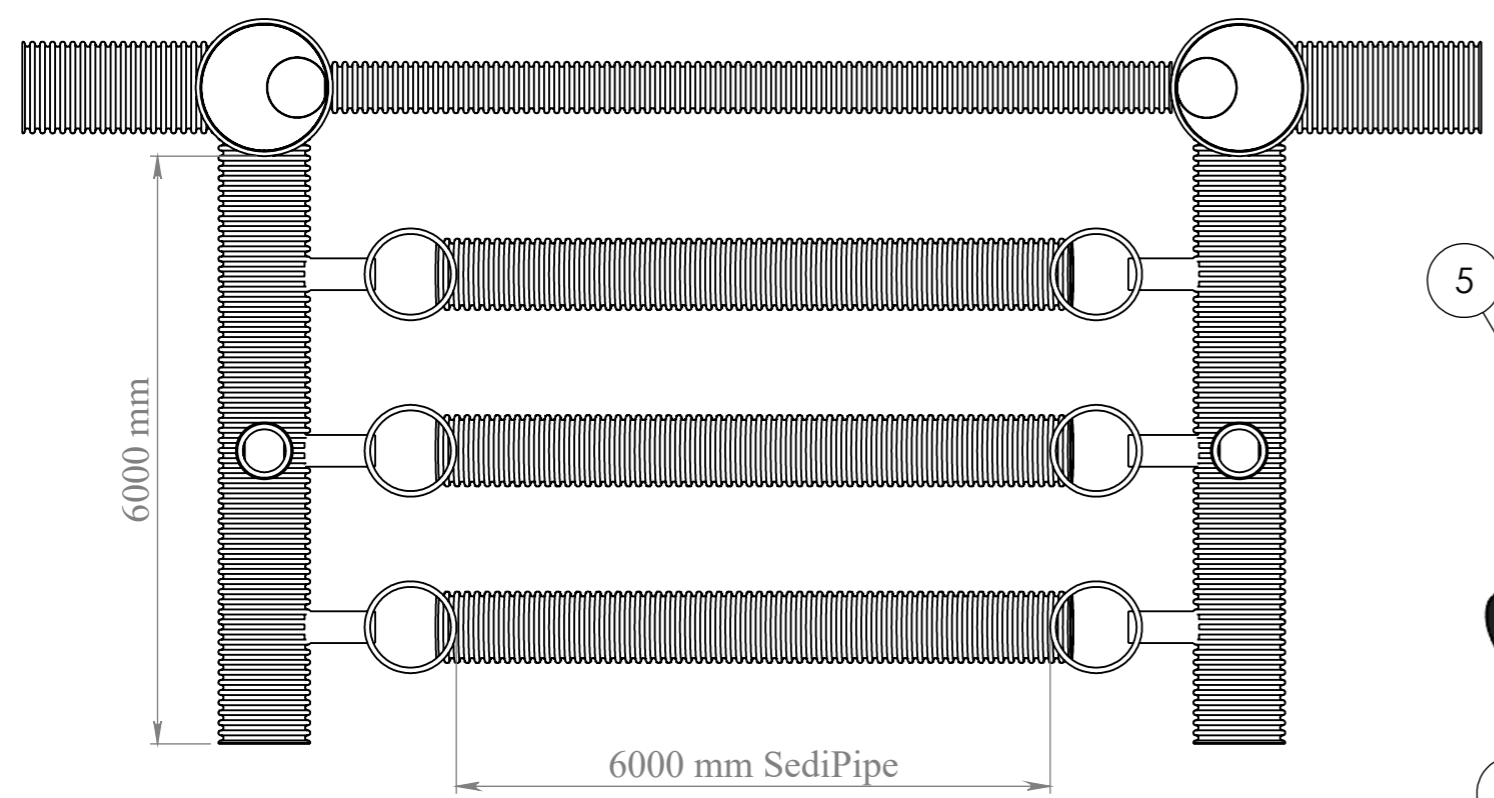


8 7 6 5 4 3 2 1

10	SW-SE-10000057	DN800 Well	A	3
9	SW-SE-10000056	Ø600 mm SediPipe	A	3
8	SW-SE-10000055	DN800 Well	A	3
7	SW-SE-10000054	315 mm PVC Pipe	A	6
6	SW-SE-10000053	Ø425 Well	A	2
5	SW-SE-10000052	DN800 Well	A	2
4	SW-SE-10000051	DN400 Well	A	1
3	SW-SE-10000050	DN800 Well	A	2
2	SW-SE-10000048	Top Ø1250 well	A	2
1	SW-SE-10000049	ø1250 Well	A	2
Pos.	Part no.	Description	revision	QTY

F  
E  
D  
C  
B  
A

F  
E  
D  
C  
B  
A



**PROPRIETARY AND CONFIDENTIAL**  
 THE INFORMATION CONTAINED IN THIS DRAWING IS THE SOLE PROPERTY OF THE OWNER.  
 ANY REPRODUCTION IN PART OR AS A WHOLE WITHOUT THE WRITTEN PERMISSION OF THE DRAWING  
 OWNER IS PROHIBITED.

**General conditions**

- \* Break all sharp edges and corners.
- \* Surface roughness Ra 1,6µm or better

Condition Free from foreign particles and liquids		Item Group Top Assembly		
<b>nyrup plast</b>	Projection:	Sheet 1 of 1	Scale 1:75	Format A3
		Weight kg.	Creator KEH	Date 04-11-2022
Description	Stormwater treatment system		Drawing name	SW-SE-10000047
Owner	Nyrup Plast		Model name	SW-SE-10000047
Production standard	NPCustom		Project number:	038-017
			Revision	A

8 7 6 5 4 3 2 1